

A member of NEUMO Ehrenberg Group



NEUMO ASEPTIC TECHNOLOGY

STAINLESS SOLUTIONS FOR LIFE

NEUMO BioControl®

Block Flanges B25 / B50 / B65 / B80

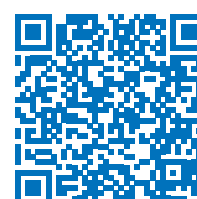






CONTENTS

About NEUMO	00
Company Portrait	00.01
BioControl®	03
Block Flanges.....	03.04
Adaptations.....	03.05
Table of Materials	11
Table of Materials (chem. analysis).....	11.01
High-Performance Materials and Custom Design	14
Introduction	14.01
High-Performance Materials and Custom Design ..	14.02



[Catalogue Download \(PDF\)](#)

Subject to technical modifications



Components, equipment and tubes - made of stainless steel and special alloys

NEUMO in Knittlingen was founded by Senator Henry J. Ehrenberg in 1947. The young enterprise quickly became a leading supplier of components for the food processing industry.

NEUMO is the parent company of an owner-managed group of companies with more than 1.900 employees. Today, NEUMO is the leader in technology regarding components, vessels, assemblies and apparatuses, made of stainless steel and special alloys for the fluid handling, used in the significant production processes of the pharmaceutical industry, biotechnology, chemical industry and semiconductor technology.

NEUMO – Product Innovations for Tomorrow's Markets

When biosciences really started to take off in the 1970s and the triumph of biotechnology appeared to be inevitable, NEUMO made an important strategic decision: to shift its focus on aseptic technology. A successful move as it turned out, since today the majority of all biopharmaceuticals is made in plants

equipped with components, apparatuses and tubes supplied by the NEUMO Ehrenberg Group.

The production site in Knittlingen is specialised in the development and production of sterile applications, pooling its expertise in the fabrication of high-alloy stainless steels, corrosion resistant duplex steels and nickel-base alloys.

The product range includes special tubing grades, couplings, all kinds of fittings and equipment as well as fabrication to drawing. Furthermore, NEUMO is a significant OEM manufacturer of pharmaceutical vessels and fermenters and a major supplier of equipment such as aseptic heat exchangers.

NEUMO has taken over technological leadership with innovative and unique solutions such as elastomer-free coupling as well as the CleanLip technology. These innovations led for example to the aseptic couplings which have gone from strength to strength in red biotechnology, marketed under the brand names BioConnect®, ConnectS® and BioControl®.





BioControl® – Block Flange standard

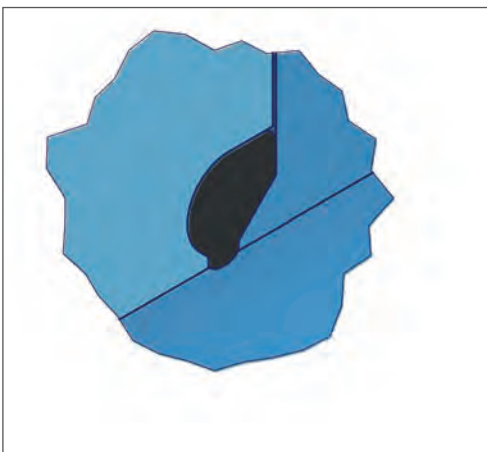


BioControl® – Block Flange high version

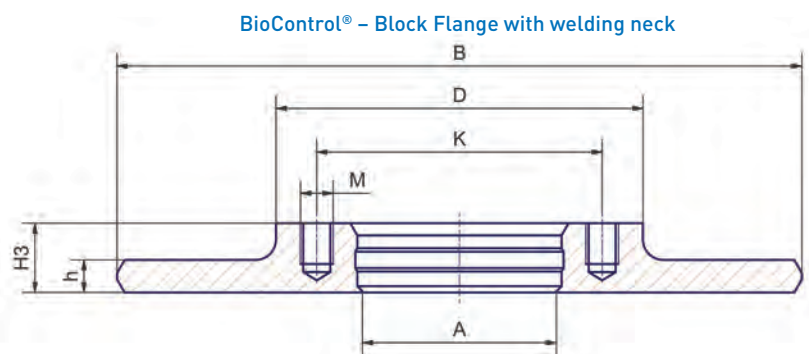
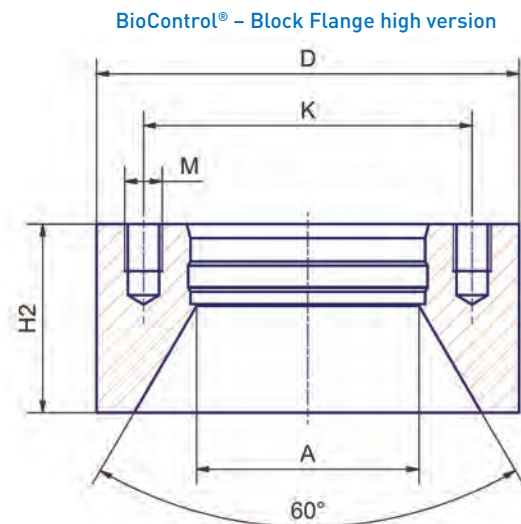
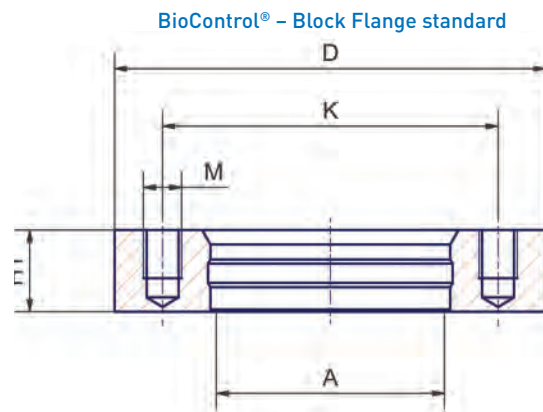


BioControl® – Block Flange with welding neck

Technical Data	
Material*	1.4435 / 316L
Surface finish (product contacted area)*	Ra < 0,8 µm electropolished area*
Max. permissible pressure	PN16
Max. operating temperature	-10°C / +200°C
Delta ferrite content (raw material)*	< 1%
Process connection	B25, B50, B65 and B80
Sealing*	EPDM (FDA + USP Class VI)
Block flange standard	Vessel wall thickness < 4mm
Block flange high version*	Vessel wall thickness > 4mm
Block flange with welding neck*	Vessel wall thickness up to 12mm
Approvals	TÜV-component testing
Notification	Please refer to our homepage for processing instructions
* Alternative material grades (such as 2.4602, 2.4605, 1.4539, AL-6XN®, titanium, etc.) as well as different designs (such as customised heights, turned radii, etc.), surface qualities and delta ferrite values are available on request.	



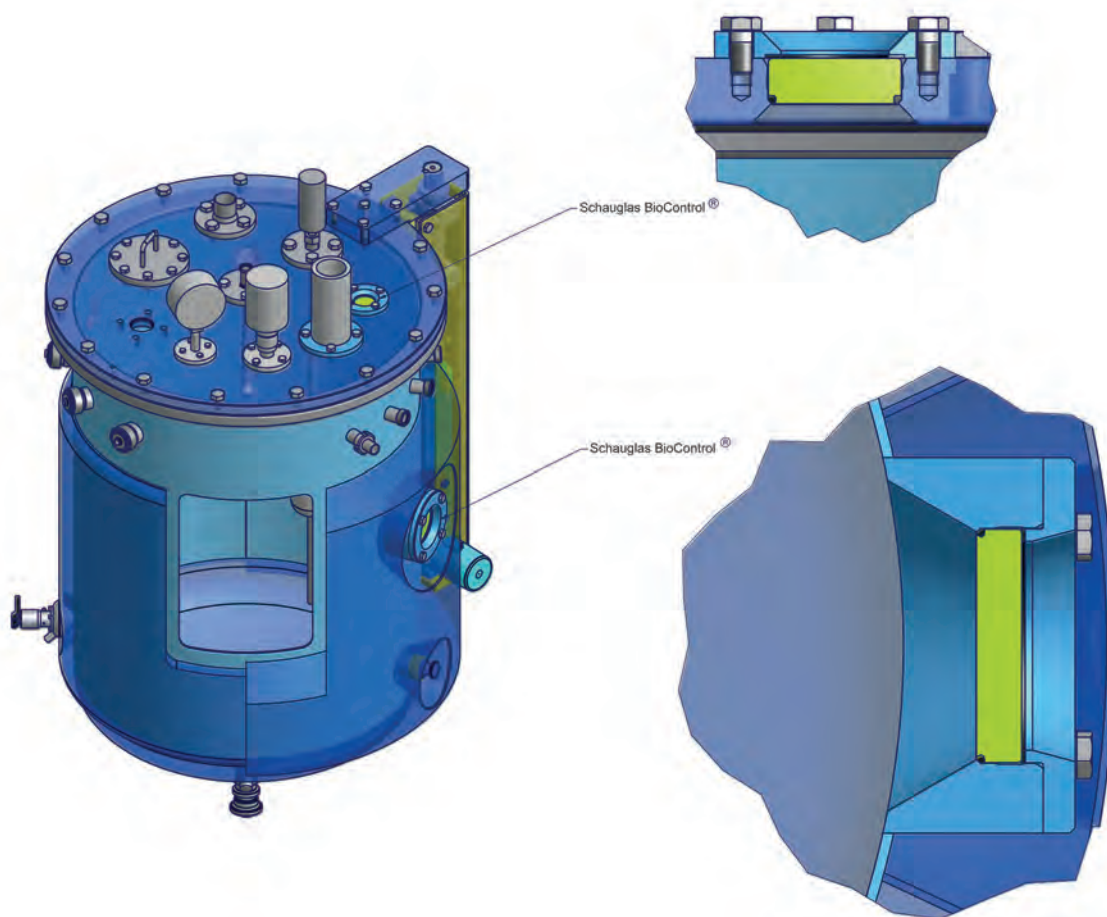
Elastomer-free solution also available BioControl® CS) - please contact us!





BioControl® – Block Flanges B25 / B50 / B65 / B80									
Size	A	D	H1	H2	B	H3	h	K	M
B25	28,1	64	11	25	144	11	8	50	4x M6
B50	47,6	90	17	40	170	17	10	70	4x M8
B65	65,6	120	17	50	200	17	10	95	4x M10
B80	85,1	140	25	65	220	25	10	115	4x M10

Application Examples



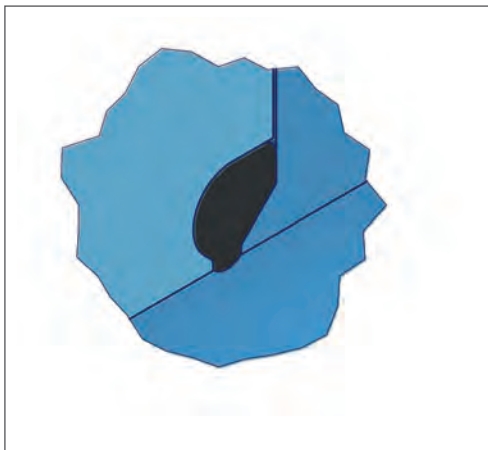


BioControl® – Sight Glass Set



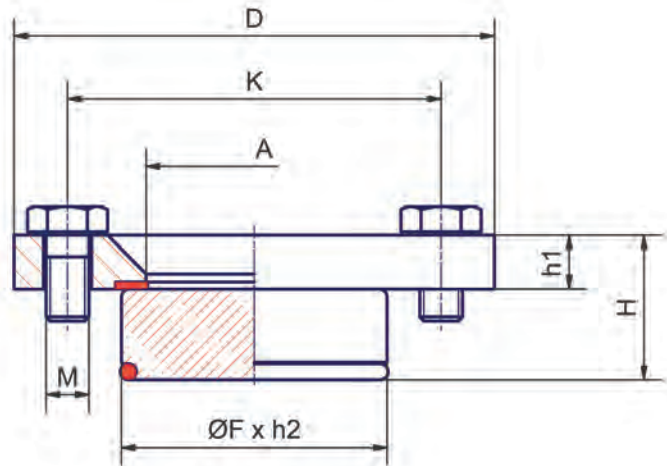
BioControl® – Blind Flange Set

Technical Data	
Materials Blind Flange Set*	Blind Flange: 1.4435 / 316L O-Ring: EPDM (FDA)
Materials Sight Glass Set*	Flange: 1.4435 / 316L
	Glass: ESG borosilicate
	O-Ring: EPDM (FDA + USP class VI) Flat Seal: Klinger Top Chem 2000
Surface finish (product contacted area)	Ra < 0,8 µm electropolished area
Max. permissible pressure	PN16
Delta ferrite content (raw material)*	< 1%
Process connection	25, 50, 65 and 80
Approvals	TÜV-component testing
* Alternative material grades (such as 2.4602, 2.4605, 1.4539, AL-6XN®, titanium, etc.), alternative seal materials (such as Viton, Viton / FEP-encapsulated, PTFE, etc.) as well as different surface qualities and delta ferrite values are available on request.	

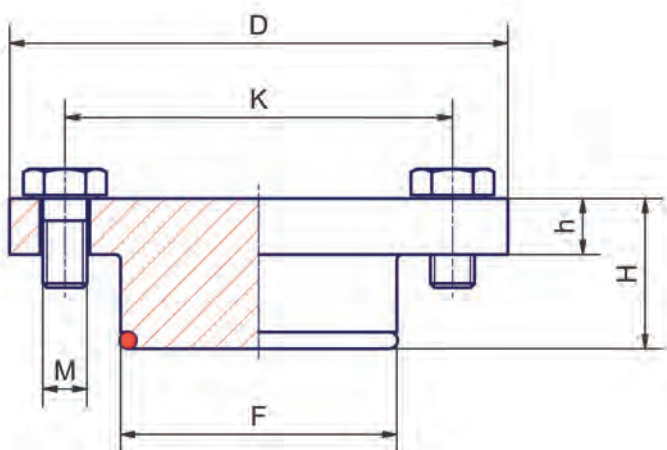


Elastomer-free solution also available
BioControl® CS) - please contact us!

BioControl® – Sight Glass Set



BioControl® – Blind Flange Set





BioControl® – Sight Glass Set S25 – S80

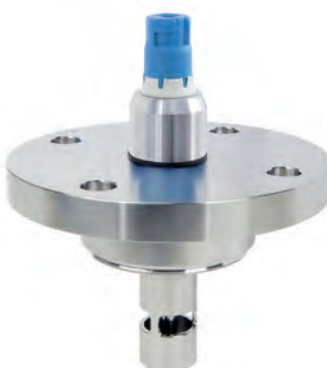
Size	D	H	h1	K	A	øF x h2	M
S25	64	20	9	50	25	30,3 x 13	M6 x 16
S50	90	27	10	70	40,5	49,8 x 17	M8 x 16
S65	120	27	10	95	58,5	67,8 x 17	M10 x 18
S80	140	37	12	115	78	87,3 x 17	M10 x 25

BioControl® – Blind Flange Set DS25 – DS80

Size	D	H	h	K	F	M
DS25	64	20	9	50	30,4	M6 x 16
DS50	90	27	10	70	49,9	M8 x 16
DS65	120	27	10	95	67,9	M10 x 18
DS80	140	37	12	115	87,4	M10 x 25

BioControl® – a system with almost unlimited possibilities of adaptation

Measuring and analysis instruments as well as sampling valves with BioControl®-connection are available from more than 40 international partners, such as: Gebr. Rieger, WIKA, Labom, Endress + Hauser, Negele, Siemens and many more.





High-performance Materials and Custom Design



Over many years NEUMO has increasingly specialised in special materials and special design. Today we dominate the market as a competent reference and warehouse keeper for special alloys. Furthermore we are a supplier of high quality special design.

The product range includes the production of components fabricated to drawing as well as tubes and standardised fittings (for example DIN11865 and ASME-BPE) in special alloys.

In addition, we offer our patented products BioConnect®, ConnectS®, BioControl® and BioFlow check valves in special materials.

Our offered product portfolio is rounded off by our range of semi-finished products, such as sheets, bar steel and cuttings in standard or special materials.



Distribution Pipes



Customised Construction



Customised Connections

Customised Fittings

Reducer Elbows

... designed and manufactured with support of your specialist engineers!

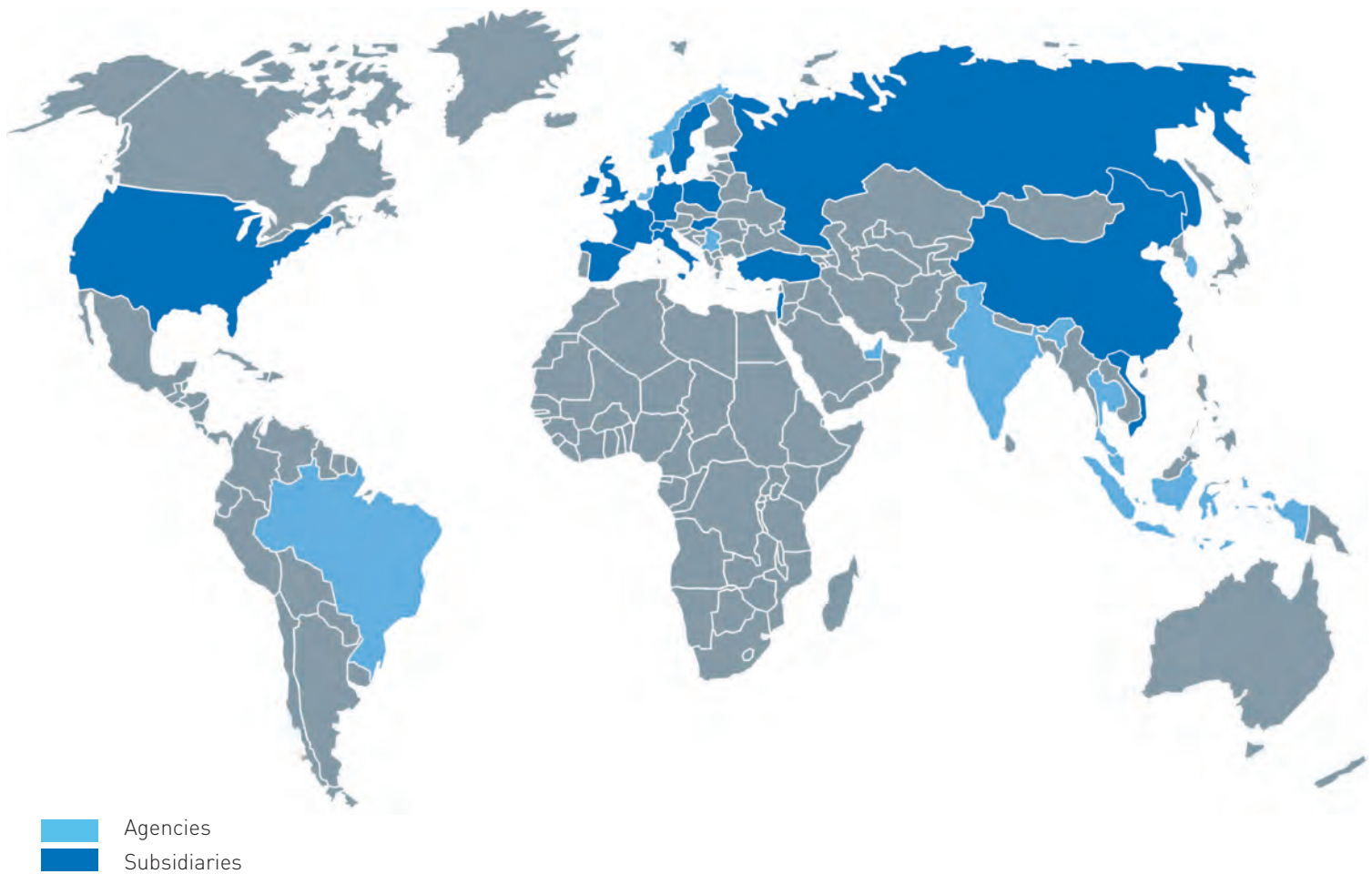


- 1.4539/904L
- AL-6XN®
- 2.4602/C-22
- 2.4605/Alloy 59
- 2.4610/C-4
- 2.4819/C-276
- 1.4462
- Titanium
- ...

- Tubes
- Fittings (standard + custom)
- Tube Connections (standard + custom)
- Customised Machined Items
- Prefabricated Spools
- Distribution Pipes
- Customised Constructions
- Process Equipment
- Bar Steel
- Sheets
- Cuttings
- and many more ...



NEUMO worldwide



The **NEUMO Ehrenberg Group** is a privately owned and managed multi-national corporate group with more than 1.900 employees.

Founded in 1947, NEUMO, the group's parent company, now produces, manufactures and supplies fittings, equipment and tubes made from stainless steel as well as corrosion-resistant special alloys for the pharmaceutical, biotechnology, chemical and semicon industries.

NEUMO products provide a significant contribution to safety and integrity of production processes.

NEUMO GmbH + Co. KG

Henry-Ehrenberg-Platz
D-75438 Knittlingen
Telefon: +49 7043 36-0
Telefax: +49 7043 36-130
E-Mail: info@neumo.de
www.neumo.de