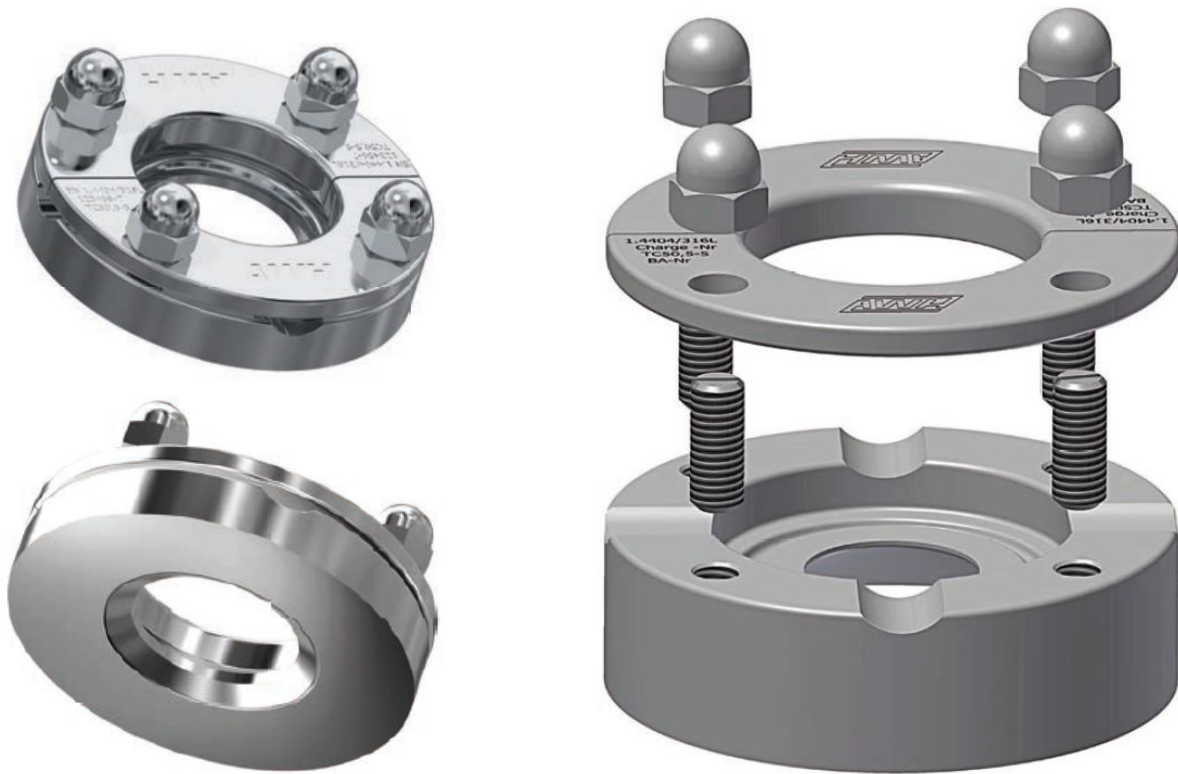


AWH - Connect Tank Weld Flanges acc ASME-BPE



A member of NEUMO Ehrenberg Group

AWH-Connect and Accessories



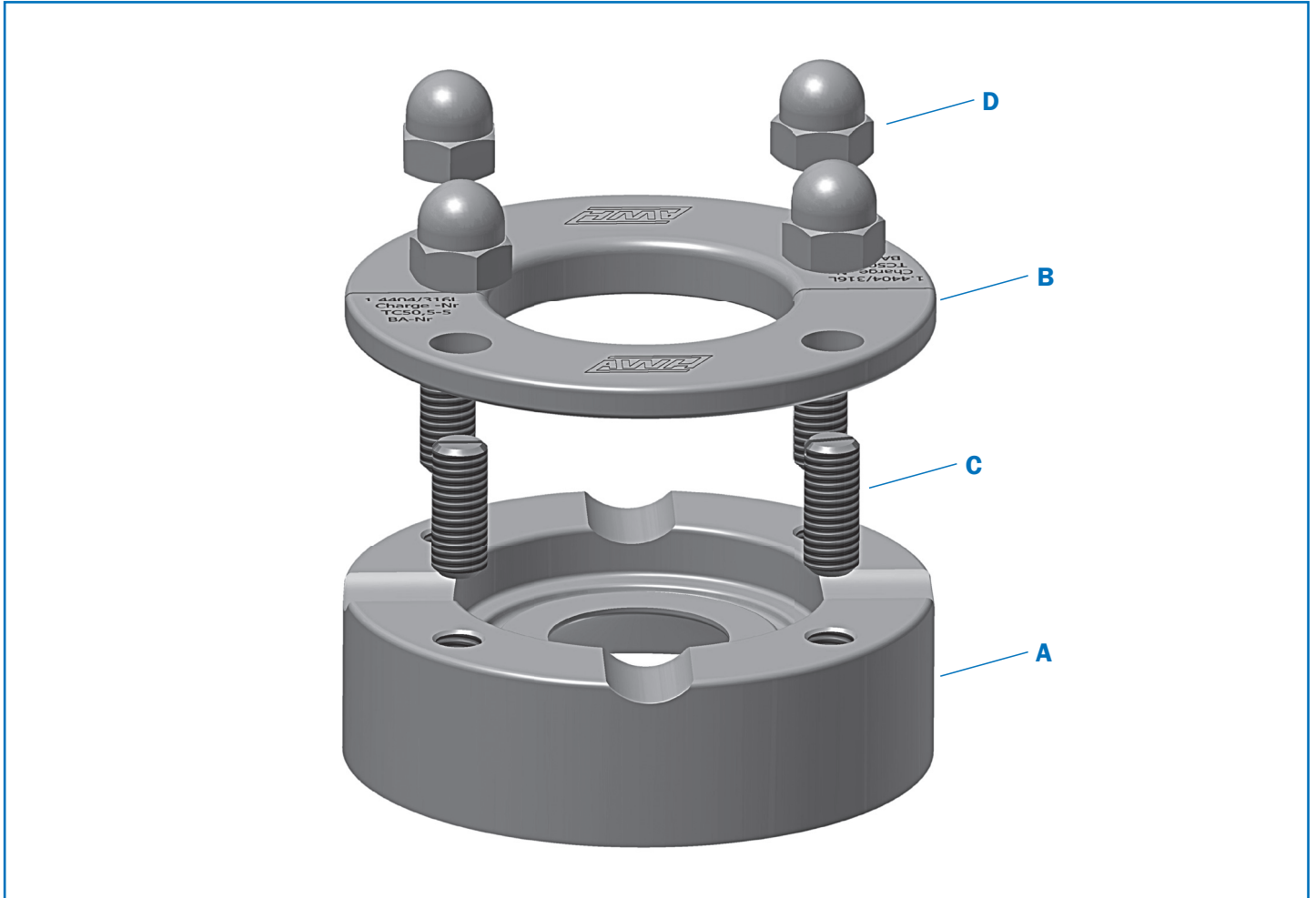
The AWH-Connect is an aseptic and hygienic connection for tanks. It is designed to comply with the strict requirements of the pharmaceutical, biotechnological and food industries. Using AWH-Connect in place of standard clamp connection allows you eliminate or minimize dead space in tanks.

In accordance with the Pressure Equipment Directive, the AWH-Connect have been subjected to a design examination by TÜV Nord acc. to EN 13445 standard and the AD2000 data sheet. Relevant certificates can be provided on request.

Technical Parameters

Standard	Designed in accordance with the requirements of the Pressure Equipment Directive 2014/68/EU, EN 13445 and AD2000 regulations/ASME VIII Div. 2.		
Materials	Welded flange:	1.4435, BN2 (Delta ferrite: $\leq 1.0\%$) DIN EN 10272	316 L ASME-SA 479, ASTM A479
	Split ring:	1.4404 DIN EN 10272	316 L ASME-SA 479, ASTM A479
	Thread bolts/cap nuts In conformity with the Pressure Equipment Directive 2014/68/EU:	A4-70 / A4-50 DIN EN ISO 3506-1 / -2	A4-70 / A4-50 DIN EN ISO 3506-1 / -2
	Thread bolts/cap nuts In conformity with ASME VIII:	SA193 B8M Cl.1	SA194 8M Cl. 1
Surfaces	Surfaces in contact with the product:	$Ra \leq 0.5 \mu m$	
	Other surfaces:	$Ra \leq 1.2 \mu m$	
Operating pressure	-1 to +7 bar / -14.5 to 101 psi		
Operating temperature	-80 to +200 °C / -112 to 392 °F		
Thread bolts / Nuts	Thread bolts acc. to DIN 976-1 with 1x slot acc. to DIN 551 Cap nuts acc. to DIN 1587 Manufacturer acc. to AD2000 data sheet (VdTÜV data sheet 1253/4) recognized for designs conforming to PED 2014/68/EU		
Clamp connection	Suitable for clamp ferrules acc. to DIN 32676, ISO 2852, BS 4825 and ASME BPE		
Seals	Suitable for standard seals acc. to DIN 32676, as well as ISO 2852 Type A and Type B		
Labelling	Welded flange and split ring are permanently marked with material, batch no. and manufacturer's trademark		
Documentation	Acceptance test certificate 3.1 acc. to EN 10204 AD2000-W2/W10 ASME SEC. II Optionally available for welded flange and split ring.		
Delivery / Packaging	The product is delivered in a disassembled condition. The welded flange, split ring and thread bolts/nuts are all securely packaged separately. Returns are only possible if the packaging has not been opened! Seals are not included in the scope of delivery.		
Options	Customized versions in terms of materials, surfaces, welded flange heights etc. can be supplied on request. Please get in touch with us!		
Notes	The operating limits (pressure and temperature) for the AWH-Connect depend on both the seal used and the connected component. The weakest individual component in the connection determines the max. permissible pressure and the max. temperature. After installing a component, it is to be ensured that the cap nuts are screwed on tightly before applying pressure to the system. Weight specifications are approximate weights. We reserve the right to make technical changes.		

Exploded View



- A** Welded flange
- B** Split ring
- C** Thread bolt
- D** Cap nut

Services

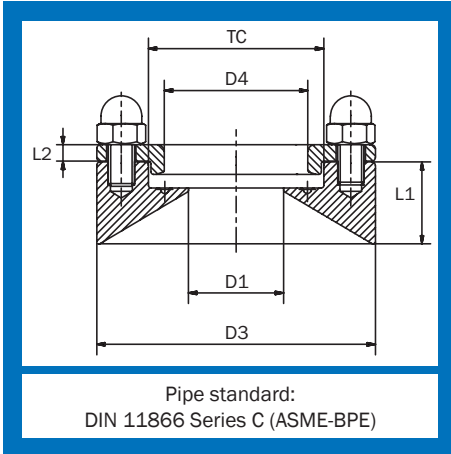
Welded Flange Measuring Report

Article No.	Description	Measuring points
1611MP00RA00300	Surface roughness (inner/outer)	3
1611MP00RA00500	Surface roughness (inner/outer)	5
1611MP00FE00200	Delta-Ferrite content (inner)	2

Material Certificates

Article No.	Description
27u	Acceptance test certificate 3.1 incl. marking transfer certificate

AWH-Connect and Accessories



AWH-Connect AD2000 Data Sheet (PED 2014/68/EU) Inch (Tube OD)

DN Inch	D1	D3	D4	L1	L2	Pipe-Ø	Thread bolts	TC	Weight [kg]
1/2"	9.4	55	20	12	5	12.7 x 1.65	4/M6 x 16	25	0.3
1/2"	9.4	55	20	25	5	12.7 x 1.65	4/M6 x 16	25	0.4
1/2"	9.4	55	20	38	5	12.7 x 1.65	4/M6 x 16	25	0.6
1/2"	9.4	55	20	51	5	12.7 x 1.65	4/M6 x 16	25	0.7
3/4"	15.8	55	20	12	5	19.05 x 1.65	4/M6 x 16	25	0.2
3/4"	15.8	55	20	25	5	19.05 x 1.65	4/M6 x 16	25	0.4
3/4"	15.8	55	20	38	5	19.05 x 1.65	4/M6 x 16	25	0.5
3/4"	15.8	55	20	51	5	19.05 x 1.65	4/M6 x 16	25	0.6
1"	22.1	85	43.8	12	5	25.4 x 1.65	4/M8 x 20	50.5	0.6
1"	22.1	85	43.8	25	5	25.4 x 1.65	4/M8 x 20	50.5	0.9
1"	22.1	85	43.8	38	5	25.4 x 1.65	4/M8 x 20	50.5	1.2
1"	22.1	85	43.8	51	5	25.4 x 1.65	4/M8 x 20	50.5	1.5
1 1/2"	34.8	85	43.8	12	5	38.1 x 1.65	4/M8 x 20	50.5	0.6
1 1/2"	34.8	85	43.8	25	5	38.1 x 1.65	4/M8 x 20	50.5	0.8
1 1/2"	34.8	85	43.8	38	5	38.1 x 1.65	4/M8 x 20	50.5	1.1
1 1/2"	34.8	85	43.8	51	5	38.1 x 1.65	4/M8 x 20	50.5	1.4
2"	47.5	100	55	15	6	50.8 x 1.65	4/M8 x 20	64	0.8
2"	47.5	100	55	25	6	50.8 x 1.65	4/M8 x 20	64	1.1
2"	47.5	100	55	38	6	50.8 x 1.65	4/M8 x 20	64	1.4
2"	47.5	100	55	51	6	50.8 x 1.65	4/M8 x 20	64	1.8
2 1/2"	60.2	112	65.5	15	9.5	63.5 x 1.65	4/M8 x 25	77.5	1.1
2 1/2"	60.2	112	65.5	25	9.5	63.5 x 1.65	4/M8 x 25	77.5	1.4
2 1/2"	60.2	112	65.5	38	9.5	63.5 x 1.65	4/M8 x 25	77.5	1.8
2 1/2"	60.2	112	65.5	51	9.5	63.5 x 1.65	4/M8 x 25	77.5	2.2
3"	72.9	131	77	15	10	76.2 x 1.65	6/M8 x 25	91	1.5
3"	72.9	131	77	25	10	76.2 x 1.65	6/M8 x 25	91	1.8
3"	72.9	131	77	38	10	76.2 x 1.65	6/M8 x 25	91	2.3
3"	72.9	131	77	51	10	76.2 x 1.65	6/M8 x 25	91	2.9
4"	97.4	170	105	15	12	101.6 x 2.11	8/M8 x 30	119	2.5
4"	97.4	170	105	25	12	101.6 x 2.11	8/M8 x 30	119	3.1
4"	97.4	170	105	38	12	101.6 x 2.11	8/M8 x 30	119	3.9
4"	97.4	170	105	51	12	101.6 x 2.11	8/M8 x 30	119	4.8



Armaturenwerk Hötensleben GmbH
Schulstr. 5 - 6
39393 Hoetensleben, Germany

Tel.: +49 39405 92-0
Fax: +49 39405 92-111
e-mail: info@awh.eu
<http://www.awh.eu>

NEUMO Ehrenberg Group

