

# Tank Equipment Series P33 Hygienic Manway



P33 - Non-pressure Dome Lid, hygienic



P33 - Dome Lid, hygienic



# AWH Tank Equipment Contents

## Table of Contents

	Page
AWH Tank Equipment Contents	3
AWH Manways Technical Information	4
P33 - Dome Lid, hygienic	5
P33 - Non-pressure Dome Lid, hygienic	6

The dimensions listed in the catalog are in mm and are nominal dimensions.  
The specified weights are approximate weights.

## AWH-Manways Technical Information

### Pressure Equipment Directive (DGRL) in Relation to the Manways

The introduction of the new pressure equipment directive 2014/68/EU has been created as a basis for free trade within the European Union. The introduction of this standardized directive for manufacturing pressure devices and parts creates the necessary conditions for fair and clear competition between the EU member states.

#### Technical scope

The pressure equipment directive states that only complete piping or tanks can be tested. This means that, according to the pressure equipment directive, individual components (e.g. individual pipes, screw connections, T-pieces, bends and similar parts) cannot carry the CE label.

Guideline 1/22 supports this statement. This guideline contains notes for applying the directive to components for pressure vessels. The components must be designed and manufactured according to the requirements of the pressure equipment directive. Since these parts do not correspond to the definition for pressure equipment Article 1 Paragraph (2) No. 2.1, they are not given a CE label. The manufacturer of the pressure equipment is responsible for this and must ensure that the components used enable the pressure equipment to fulfill the key safety requirements specified in the directive.

#### Use with a pressure Manway

AWH and Boyer, our partners in the Manways range, are authorized to manufacture pressure equipment according to the pressure equipment directive. The necessary valid welding authorizations, a QA department, the TÜV marking transfer certificate, as well as a "notified body" certificate for manufacturing pressure equipment are present.

The Manways assembly group is a component for pressure equipment and, according to guideline 1.22 (see above), falls outside the direct testing requirements defined in the pressure equipment directive. When welded on to the tank, however, the Manway is subject to the test requirements in accordance with the pressure equipment directive.

In deviation from the pressure equipment directive, AWH can provide a component test for the pressure Manway on request. This enables you to incorporate the pressure Manway easily in your pressure equipment directive overall test.

#### The scope of supply for the type-tested pressure Manway includes

- EC declaration of conformity
- Test report for the component test
- Operating instructions
- Material certificate list with drawing

#### Use with storage Manway

Due to Article 1, Point 3.21, storage tanks fall outside the scope of the pressure equipment directive. Storage tanks are vessels where the gas pressure over the fluid must not exceed 0.5 bar. When choosing the Manway, it is important to consider the prevalent operating pressure, which must not exceed the maximum permissible pressure for the Manway.

### Seal Ring for AWH-Manways

The chemical resistance of the seals is heavily influenced by the temperature of the liquid, the duration of contact and, in the case of chemical solutions, the concentration of the active product. The following strength values are for orientation purposes only and are fundamentally influenced by the following factors: Composition of the rubber mixture, changes in temperature or degree of expansion, weathering influences, duration of stress etc.

#### Technical Parameters

Sealing material	Color*	F.D.A.	Max. temperature
EPDM	Grey	Section 21 CFR 177.2600	-40 to +130 °C / -40 to 266 °F
FKM	Black	Section 21 CFR 177.2600	-10 to +200 °C / 14 to 392 °F
Natural rubber	White	Section 21 CFR 177.2600	-40 to +70 °C / -40 to 158 °F
NBR	Bronze	Section 21 CFR 177.2600	-20 to +110 °C / -4 to 230 °F
Silicon	Yellow-white translucent	Section 21 CFR 177.2600	-50 to +200 °C / -58 to 392 °F

\* with reservations

## P33 - Dome Lid, hygienic

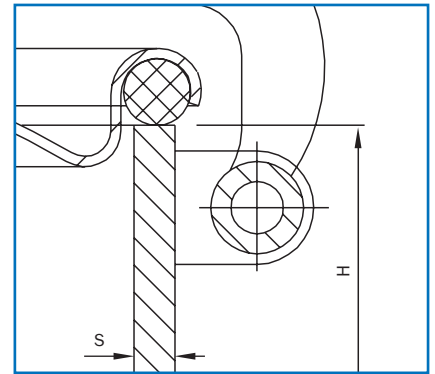


This Manway is designed for pressureless tanks. It is used mainly as a dome lid on small tanks or on liquid tanks. The fluid level must be below the Manway. This design enables easy operation for opening and closing without tools.

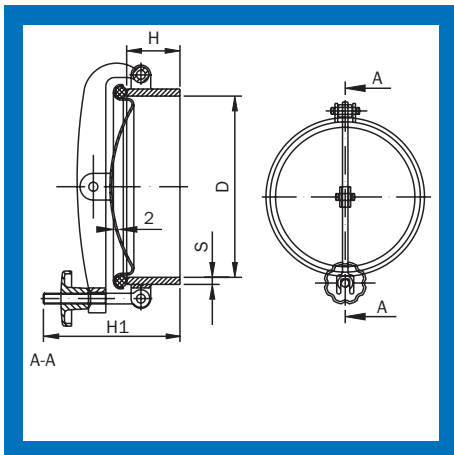
The fixed connection between the handle and Manway enables the Manway to be placed easily on the frame, which also ensures secure sealing. It is used as an opening for maintenance and repair or for filling a tank.

### Technical Parameters

- Materials:** 1.4404 (316L)  
**Seal rings:** EPDM, other materials on request  
**Surfaces:** Manway electropolished, frame blasted
- Round stainless steel dome lid
  - Opening outwards
  - Positioned at the top
  - O-ring seal in the Manway



### Ordering Information



#### Dome Lid, hygienic, without Seal Ring

Type	D	H	H1	V	Max. permissible pressure [bar]		Weight [kg]	1.4404 (316L)	
					max.	Vacuum		Article No.	
P33-114	204	60	154	8	0.8	0.1	4	6B0331140007	

#### Seal Ring for Dome Lid, hygienic

Type	EPDM	
	Article No.	
P33-114	6B0540100173	

## P33 - Non-pressure Dome Lid, hygienic



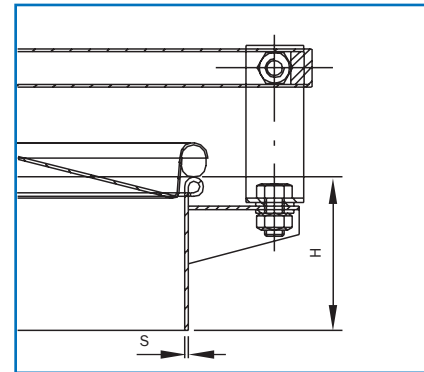
The Manway type P33 is designed for pressureless tanks. It is used mainly as a dome lid on the tank. The fluid level must be below the Manway. The design enables easy operation for opening and closing without tools.

The fixed connection between the handle and Manway enables the Manway to be placed easily on the frame, which also ensures secure sealing. The handle is mounted on the side and can be rotated. This also enables the Manway to be opened fully even with a low installation height between the tank and ceiling. It is used as access for maintenance and repair or for filling a tank. The Manway can also be used for holding inlet nozzles, sight glasses or other attachments.

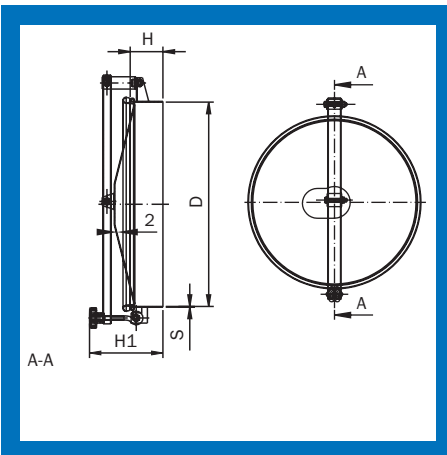
### Technical Parameters

**Materials:** 1.4404 (316L)  
**Seal rings:** EPDM, FKM, NBR, other materials on request  
**Surfaces:** Manway electropolished, frame blasted

- Round stainless steel dome lid
- Opening outwards
- Positioned at the top
- Seal: round cord in the Manway, glued



### Ordering Information



#### Non-pressure Dome Lid, hygienic, with Seal Ring

Type / Seal ring	D	H	H1	V	Max. permissible pressure [bar]	Weight [kg]	1.4404 (316L)
							Article No.
P33-230 / EPDM	220	80	175	2	0.1	4	6B0332300001/1
P33-230 / FKM	220	80	175	2	0.1	4	6B0332300001/2
P33-230 / NBR	220	80	175	2	0.1	4	6B0332300001/3
P33-330 / EPDM	296	80	175	2	0.1	5	6B0333300001/1
P33-330 / FKM	296	80	175	2	0.1	5	6B0333300001/2
P33-330 / NBR	296	80	175	2	0.1	5	6B0333300001/3
P33-430 / EPDM	393	80	175	2	0.05	8	6B0334300001/1
P33-430 / FKM	393	80	175	2	0.05	8	6B0334300001/2
P33-430 / NBR	393	80	175	2	0.05	8	6B0334300001/3
P33-530 / EPDM	500	80	175	2	0.05	9	6B0335300001/1
P33-530 / FKM	500	80	175	2	0.05	9	6B0335300001/2
P33-530 / NBR	500	80	175	2	0.05	9	6B0335300001/3
P33-630 / EPDM	600	80	175	2	0.05	11	6B0336300004
P33-630 / FKM	600	80	175	2	0.05	11	6B0336300001/2
P33-630 / NBR	600	80	175	2	0.05	11	6B0336300001/3





Armaturenwerk Hötensleben GmbH  
Schulstr. 5 - 6  
39393 Hoetensleben, Germany

Tel.: +49 39405 92-0  
Fax: +49 39405 92-111  
e-mail: info@awh.eu  
<http://www.awh.eu>

## NEUMO Ehrenberg Group

