

Tank Equipment Series 31 Hygienic Manways



P31 - Non-pressure Dome Lid, hygienic



P31 - Non-pressure Dome Lid, hygienic



P31 - Non-pressure Dome Lid, hygienic,
with double Handle

AWH Tank Equipment Contents

Table of Contents

	Page
AWH Tank Equipment Contents	3
AWH Manways Technical Information	4
P31 - Non-pressure Dome Lid, hygienic	5
P31 - Non-pressure Dome Lid, hygienic	6
P31 - Non-pressure Dome Lid, hygienic, with double Handle	7

The dimensions listed in the catalog are in mm and are nominal dimensions.
The specified weights are approximate weights.

AWH-Manways Technical Information

Pressure Equipment Directive (DGRL) in Relation to the Manways

The introduction of the new pressure equipment directive 2014/68/EU has been created as a basis for free trade within the European Union. The introduction of this standardized directive for manufacturing pressure devices and parts creates the necessary conditions for fair and clear competition between the EU member states.

Technical scope

The pressure equipment directive states that only complete piping or tanks can be tested. This means that, according to the pressure equipment directive, individual components (e.g. individual pipes, screw connections, T-pieces, bends and similar parts) cannot carry the CE label.

Guideline 1/22 supports this statement. This guideline contains notes for applying the directive to components for pressure vessels. The components must be designed and manufactured according to the requirements of the pressure equipment directive. Since these parts do not correspond to the definition for pressure equipment Article 1 Paragraph (2) No. 2.1, they are not given a CE label. The manufacturer of the pressure equipment is responsible for this and must ensure that the components used enable the pressure equipment to fulfill the key safety requirements specified in the directive.

Use with a pressure manway

AWH and Boyer, our partners in the manlids range, are authorized to manufacture pressure equipment according to the pressure equipment directive. The necessary valid welding authorizations, a QA department, the TÜV marking transfer certificate, as well as a "notified body" certificate for manufacturing pressure equipment are present.

The manlids assembly group is a component for pressure equipment and, according to guideline 1.22 (see above), falls outside the direct testing requirements defined in the pressure equipment directive. When welded on to the tank, however, the manway is subject to the test requirements in accordance with the pressure equipment directive.

In deviation from the pressure equipment directive, AWH can provide a component test for the pressure manway on request. This enables you to incorporate the pressure manway easily in your pressure equipment directive overall test.

The scope of supply for the type-tested pressure manway includes

- EC declaration of conformity
- Test report for the component test
- Operating instructions
- Material certificate list with drawing

Use with storage manway

Due to Article 1, Point 3.21, storage tanks fall outside the scope of the pressure equipment directive. Storage tanks are vessels where the gas pressure over the fluid must not exceed 0.5 bar. When choosing the manway, it is important to consider the prevalent operating pressure, which must not exceed the maximum permissible pressure for the manway.

Seal Ring for AWH-Manways

The chemical resistance of the seals is heavily influenced by the temperature of the liquid, the duration of contact and, in the case of chemical solutions, the concentration of the active product. The following strength values are for orientation purposes only and are fundamentally influenced by the following factors: Composition of the rubber mixture, changes in temperature or degree of expansion, weathering influences, duration of stress etc.

Technical Parameters

Sealing material	Color*	F.D.A.	Max. temperature
EPDM	Grey	Section 21 CFR 177.2600	-40 to +130 °C / -40 to 266 °F
FKM	Black	Section 21 CFR 177.2600	-10 to +200 °C / 14 to 392 °F
Natural rubber	White	Section 21 CFR 177.2600	-40 to +70 °C / -40 to 158 °F
NBR	Bronze	Section 21 CFR 177.2600	-20 to +110 °C / -4 to 230 °F
Silicon	Yellow-white translucent	Section 21 CFR 177.2600	-50 to +200 °C / -58 to 392 °F

* with reservations

P31 - Non-pressure Dome Lid, hygienic



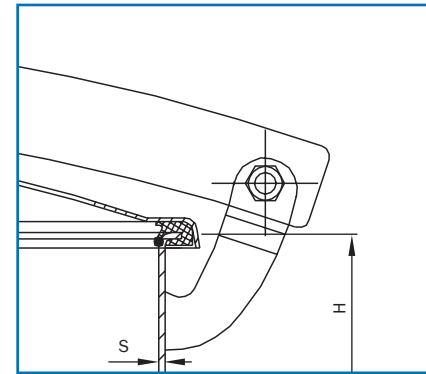
The manway type P31 is designed for pressureless tanks. It is used mainly as a dome lid on the tank. The fluid level must be low the manway. The design enables easy operation for opening and closing without tools.

The fixed connection between the handle and manway enables the manway to be placed easily on the frame, which also ensures secure sealing. It is used as access for maintenance and repair or for filling a tank. The manway can also be used for holding inlet nozzles, sight glasses or other connections. This manway is a low-cost version for use in a pressureless tank.

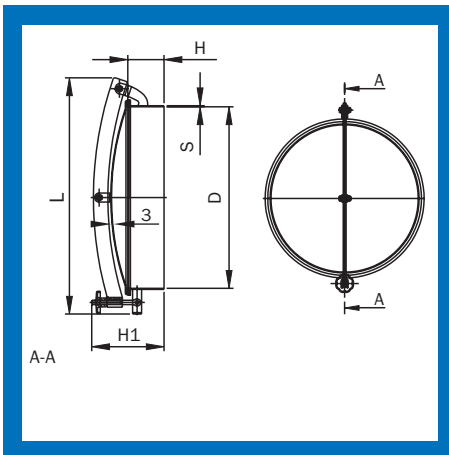
Technical Parameters

Materials: 1.4404 (316L)
Seal rings: EPDM, NBR, Silicone, natural rubber, other materials on request
Surfaces: manway electropolished, frame blasted

- Round stainless steel dome lid pressureless
- Opening outwards
- Positioned at the top
- Double lip seal on the frame



Ordering Information



Non-pressure Dome Lid, hygienic, without Seal Ring

Type	D	H	H1	L	V	Max. permissible pressure [bar]	Weight [kg]	1.4404 (316L)	
								max.	Article No.
P31-200	200	100	195	338	3	0.8	5		6B0313120001
P31-300	300	100	195	441	3	0.3	8		6B0313130001
P31-400	430	100	195	575	3	0.2	11		6B0313140009
P31-500	500	100	203	651	3	0.1	13		6B0313150002
P31-600	595	100	235	734	3	0.05	15		6B0313160000

Seal Ring for Non-pressure Dome Lid, hygienic

Type	NBR	Silicone	EPDM	FKM	Natural rubber
	Article No.	Article No.	Article No.	Article No.	Article No.
P31-200	6B0540100227	6B0540100273	6B0540100157	6B0540100324	6B0540100117
P31-300	6B0540100228	6B0540100274	6B0540100158	6B0540100325	6B0540100118
P31-400	6B0540100229	6B0540100275	6B0540100159	6B0540100326	6B0540100119
P31-500	6B0540100230	6B0540100276	6B0540100160	6B0540100327	6B0540100120
P31-600	6B0540100231	6B0540100277	6B0540100161	6B0540100328	6B0540100121

P31 - Non-pressure Dome Lid, hygienic



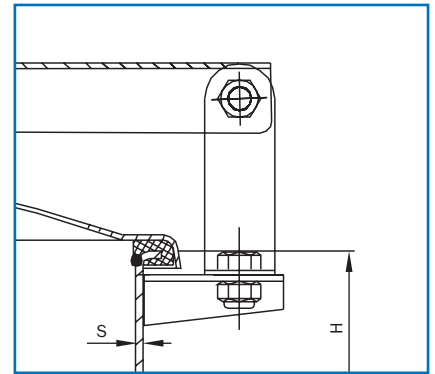
The manway type P31 is designed for pressureless tanks. It is used mainly as a dome lid on the tank. The fluid level must be below the manway. The design enables easy operation for opening and closing without tools.

The fixed connection between the handle and manway enables the manway to be placed easily on the frame, which also ensures secure sealing. It is used as access for maintenance and repair or for filling a tank. The manway can also be used for holding inlet nozzles, sight glasses or other connections.

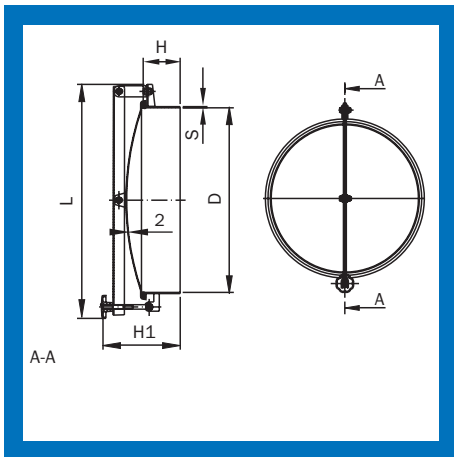
Technical Parameters

Materials: 1.4404 (316L)
Seal rings: EPDM, other materials on request manway
Surfaces: electropolished, frame blasted

- Round stainless steel dome lid pressureless
- Opening outwards
- Positioned at the top
- Lip seal on the frame



Ordering Information



Non-pressure Dome Lid, hygienic, without Seal Ring

Type	D	H	H1	L	V	Max. permissible pressure [bar]	Weight[kg]	1.4404 (316L)	
								Article No.	
P31-440	400	90	230	520	2	0.1	8	6B0313140002	
P31-540	499	90	230	619	2	0.1	9	6B0315140001	

Seal Ring for Non-pressure Dome Lid, hygienic

Type	EPDM	
	Article No.	
P31-440	6B0540100162	
P31-540	6B0540100160	

P31 - Non-pressure Dome Lid, hygienic, with double Handle



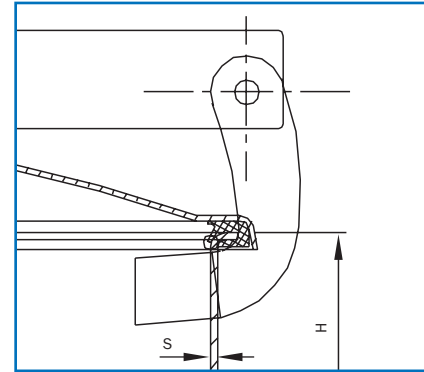
The manway type P31 is designed for pressureless tanks. It is used mainly as a dome lid on the tank. The fluid level must be below the manway. The design enables easy operation for opening and closing without tools.

The fixed connection between the handle and manway enables the manway to be placed easily on the frame, which also ensures secure sealing. The double handle enables a more even pressing force to be applied and access for maintenance and repair or for filling a tank. The manway can also be used for holding inlet nozzles, sight glasses or other attachments.

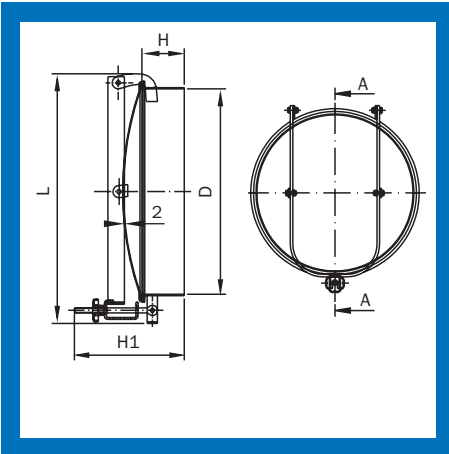
Technical Parameters

Materials: 1.4404 (316L)
Seal rings: Silicone, EPDM, other materials on request
Surfaces: manway electropolished, frame blasted

- Round stainless steel dome lid pressureless
- Opening outwards
- Positioned at the top
- Lip seal on the frame



Ordering Information



Non-pressure Dome Lid, hygienic, with double Handle, without Seal Ring

Type	D	H	H1	L	V	Max. permissible pressure [bar]	Weight [kg]	1.4404 (316L)	
						max.			Article No.
P31-598	500	100	235	620	3	0.1	15		6B0315980002

Seal Ring for Non-pressure Dome Lid, hygienic, with double Handle

Type	Silicone	EPDM	
	Article No.	Article No.	
P31-598	6B0540100276	6B0540100160	



Armaturenwerk Hötensleben GmbH
Schulstr. 5 - 6
39393 Hoetensleben, Germany

Tel.: +49 39405 92-0
Fax: +49 39405 92-111
e-mail: info@awh.eu
http://www.awh.eu

NEUMO Ehrenberg Group

